

UNIVERSAL WOOD SHREDDER



1

AXTOR



EDITION WITH AUGMENTED REALITY CONTENT



Download the „Komptech LookBeyond!“ app. Scan marked and numbered projects with the „LookBeyond! eye“ to see additional information.



APPLICATION

AXTOR IN OPERATION

HIGHLIGHTS

- » Large 4.15 m long x 1.43 m wide feed area with tilt hopper
- » Active intake with tough sectional steel conveyor and very large intake opening
- » 2 modes - shredder or chipper
- » Ideal maintenance access to engine and drum
- » Mobility: central axle trailer or tracked chassis

The Axtor is one of the most versatile machines anywhere for processing wood and green cuttings. With a 462 HP engine and a total weight under 19 tonnes in the trailer version, the new Axtor 4510 is a perfect fit for the requirements in the entry-level and medium-capacity categories. If more is needed, there is the powerful Axtor 6210 with 585 HP. With it, throughput of 300 cubic metres per hour and more is possible. Compact dimensions and high flexibility also make the Axtor ideal for subcontractors. Whether green cuttings, waste wood or trunks, through its ability to work in shredder or chipper mode the Axtor always delivers the desired product. Other features of the Axtor series are a wide feed area with tilt hopper, tough and aggressive intake system, and roomy service platform with excellent access to engine and drum for maintenance.



**COMPOSTING:
GREEN WASTE, YARD WASTE**

Green waste is a valuable input material for composting. Fibrous shredding increases the surface area, for speedy microbial decomposition. To do this, the Axtor uses free swinging tools with armored attachment, shredding the material like a hammer mill at high drum speed. Also available are free swinging tools with shredding blades give the shred more a cut karakter. Everything landing on the huge feed table is grabbed instantly by the active feed system and pulled in automatically - time consuming "push in" is not necessary.



**WOOD CHIPS:
LOGS**

With fixed tool holders and chipping blades, the Axtor is a powerful chipper with throughput up to 280 cubic metres per hour. Because contraries cannot be ruled out, the fixed tool holders have a patented overload protection system which prevents damage to the drum body, shaft and bearing on contact with a solid contrary. Usually work can be resumed quickly. With its large drum diameter ($\varnothing=1100$ mm) and efficient shredding geometry, the Axtor can handle logs up to 0.8 metre in diameter. Length is not an issue, since the tilt hopper leaves the feed table open to the front.



**PROCESSING OF FORESTRY
RESIDUE, BARK, UNTREATED
WASTE WOOD ETC.**

Bulky tangles of branches and treetops present no problem for this aggressive feed. No wonder - the Axtor feed opening is 1.43 m wide and 0.85 m high. With the drum turning at reduced speed, fixed tools with robust shredding blades break the material down into particles, with the size defined by a surrounding screen basket. Waste wood is best processed with the massive free-swinging tools - they are very resistant to contraries and deliver the ideal chip size for use as fuel or material.

INSIDE THE MACHINE

BUILT FOR TOP PERFORMANCE

The Axtor is powered by a Caterpillar® diesel engine meeting the latest emission standards (T4F/Stage V). A compact belt drive transfers the power to the drum. Drum speed is 460 or 912 rpm depending on the belt pulley, and changing the drum speed takes about two hours.

There are 32 tool mounts spiralling around the circumference of the drum. Each is on a separate floating shaft and can be individually removed. The position of the counter-cutter and the large drum diameter give extremely efficient chipping. Overlengths are kept out by the screen basket around the drum and friction floor.

Material discharge is by a conveyor that starts well before the drum, thus effectively catching any leakage. The standard discharge height is 4.5 metres; a longer conveyor with a 5 metres discharge height is available as an option.

01

One-piece discharge conveyor with 4.5 m discharge height

02

CAT® diesel engine with latest emission control (Stage V)

03

Drum with shredding or chipping tools

04

Feed area with hinged hopper and steel belt conveyor

05

Feed with large, aggressive feed drum, Feed height 0.85 m

TECHNOLOGY AND FUNCTION



ENGINE AND DRIVE

- » Modern Caterpillar® diesel engine with 462 HP (4510) and 585 HP (6210)
- » Gentle gear changes with electro-hydraulic belt tensioner
- » All maintenance points with ideal access



MATERIAL FEED


- » Large feed area, open to the front, with hinged hopper
- » Active feed with robust slat conveyor and aggressive feed drum
- » Plug-in sidewall for more hopper volume, can be mounted on both sides



SHREDDING UNIT


- » Extrem big feeder opening (H x W) with 850 x 1430 mm
- » Large open drum with diameter 1100 mm
- » 32 tool positions, easy tool change thanks to individual mounting





Komptech LookBeyond!

Scan and see additional information about the Axtor.



2



SCREEN BASKET

- » Screen basket hydraulically extendable for easy change
- » Wear-resistant screen baskets available in different sizes
- » Overload protection for screen basket and friction floor prevents damage



DISCHARGE SYSTEM

- » One-piece discharge conveyor, hydraulically foldable
- » Designed as steep conveyor with fixed inclination and 4.5 metres discharge height (Axtor 6210: optional 5 metres)
- » Magnetic drum for Fe-separation



MOBILITY

- » Trailer version as central axle trailer with 2 axles (4510) and 3 axles (6210)
- » Track version with self-propelled tracked chassis



FEATURES & OPTIONS

EFFICIENT & FLEXIBLE

HIGHLIGHTS

- » Simple conversion from shredder to chipper
- » Short setup times:
Screen basket change in minutes, complete blade set change in 30 minutes
- » High operational dependability through contrary-safe design
- » Low wear and maintenance costs
- » Logically laid-out operating panel with graphic control for easy operation

The biomass market is dynamic. To thrive in this market as a fuel supplier or shredding service provider, you need a flexible machine like the Axtor. With the right combination of shredder or chipper mode and the right blades and screening baskets, it can turn a wide variety of input materials into a product of the desired quality with high throughput.

Conversion from shredder to chipper is straightforward. In four hours or less, two people can replace the free-swinging blades with fixed mountings and precision chipping blades, as well as changing the drum speed. Overload protection for the screen basket, friction floor and fixed tools minimizes damage in case of contraries.



PLENTY OF ROOM

The feed hopper is sized to be a perfect match for the machine's performance. Over 4 metres long, almost 2 metres wide, and just 2.2 metres loading height - these dimensions mean stress-free work. For long logs the movable hopper opens in the front, and it can also be opened for better feeding of other materials.



READY FOR BIG THINGS

The combination of large intake opening and aggressive intake roller makes for easy feeding of bulky items. The 1.1 m drum diameter and ideally positioned counter-cutter give a power-saving cut geometry, which translates to high performance and perfect chip output quality.



SHREDDING OR CHIPPING

In shredder mode, there is a free-swinging tool in each tool mount, optionally with disposable blades (right in the pic). In chipper mode, there is a fixed tool holder in each position that can take chipping or shredding blades (left).



MAN AND MACHINE

The operating panel on the machine has a colour display that clearly shows all functions and the operating status. Colour-coded graphics help the user quickly locate the right controls for each function.



MAINTENANCE MADE EASY

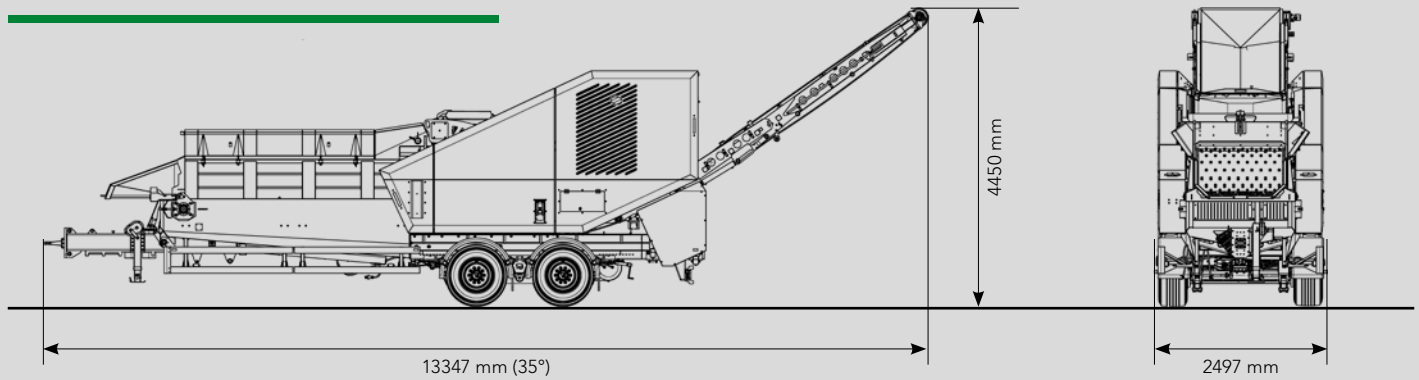
The central service platform can be accessed effortlessly by the integrated ladder after opening the side doors. From there all maintenance work on the drum and engine can be done easily and safely, as can screen basket changes.



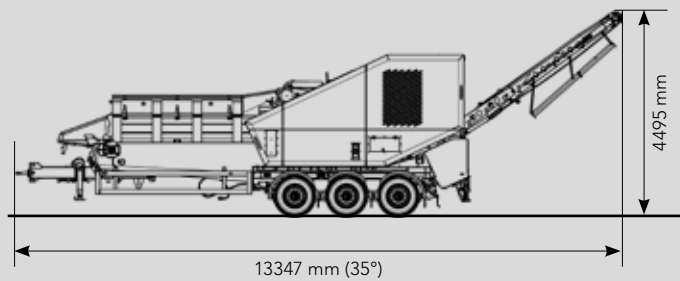
PERFECT CHIPS

The central service platform can be accessed effortlessly by the integrated ladder after opening the side doors. From there all maintenance work on the drum and engine can be done easily and safely, as can screen basket changes.

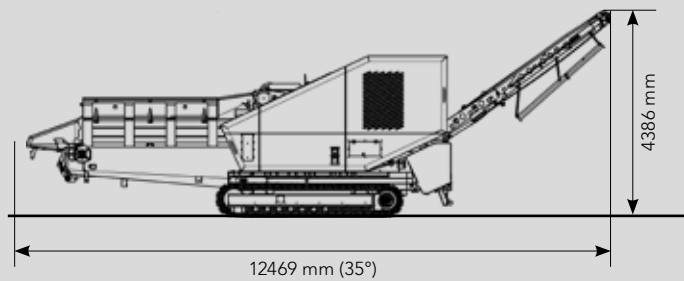
AXTOR 4510 TRAILER



AXTOR 6210 TRAILER



AXTOR 4510 / 6210 TRACK



Drive	AXTOR 4510	AXTOR 6210
Engine:	CAT® C9.3B T4F/Stage V	CAT® C13B T4F/Stage V
Power (kW/HP):	340 / 462	430 / 585
Material feed		
Feed table L x W (mm):	4155 (3600 active) x 1430	4155 (3600 active) x 1430
Feed table height (mm):	2250	2250
Number of feed drums:	1 horizontal	1 horizontal
Feeder opening H x W (mm):	850 x 1430	850 x 1430
Shredding unit		
Drum diameter x drum width (mm):	1100 x 1550	1100 x 1550
Tools:	32 free-swinging tools or 32 fixed tools	32 free-swinging tools or 32 fixed tools
Drum rpm:	460 / 912	460 / 912
Material discharge		
Conveyor belt L x W (mm):	1200	1200
Max. discharge height (35°, mm):	4500	4500
Dimensions		
Transport dimensions L x W x H (mm):	Trailer: 9980 x 2497 x 3700 Track: 8390 x 2497 x 3580	Trailer: 9980 x 2497 x 3700 Track: 8390 x 2497 x 3580
Working dimensions L x W x H (Conveyor belt 35°, mm):	Trailer 2-axle: 13347 x 2497 x 4450 Track: 12469 x 2497 x 4386	Trailer 3-axle: 13347 x 2497 x 4495 Track: 12469 x 2497 x 4386
Weight, dependent on equipment (t):	Trailer: ~ 19 Track: ~ 21	Trailer: ~ 21 Track: ~ 23
Throughput (dependent on material)		
Throughput performance (m³/h):	up to 240	up to 310

Komptech GmbH
 Kühau 37, A-8130 Frohnleiten, Austria
 [t] +43 3126 505 - 0
 [e] info@komptech.com

www.komptech.com

We reserve the right to make technical changes in the course of ongoing development. E2019